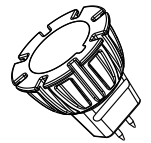
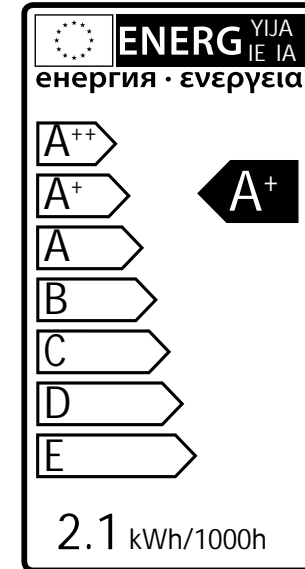
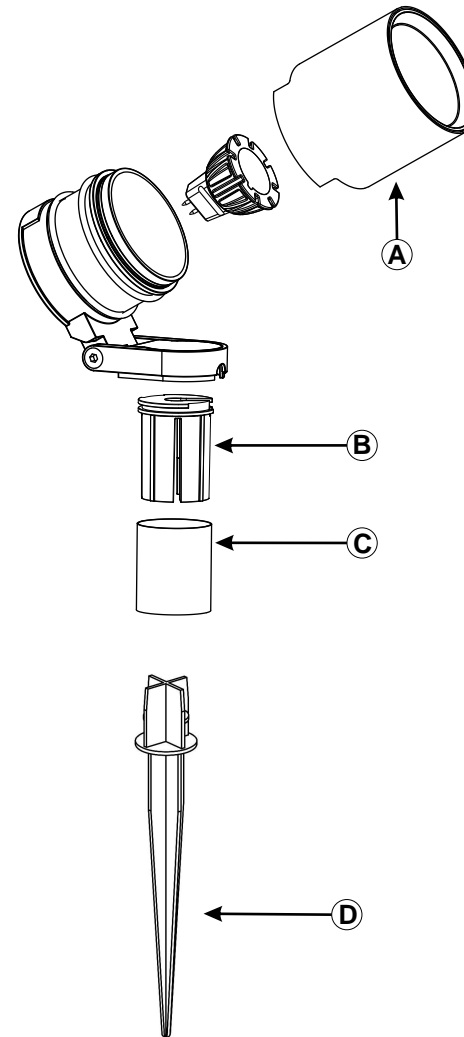


# Galileo

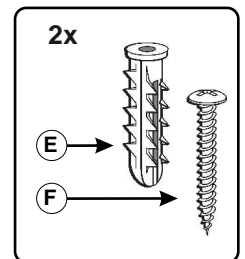
4124601

2 Watt	On/Off 5000	Failure < 5% after 1000h
120 Lumen	Non dimmable	Failure < 10% after 6000h
3000 Kelvin	Instant full light	Flux > 80% after 6000h
10.000 Hours	Power factor > 0,5	CRI > 65



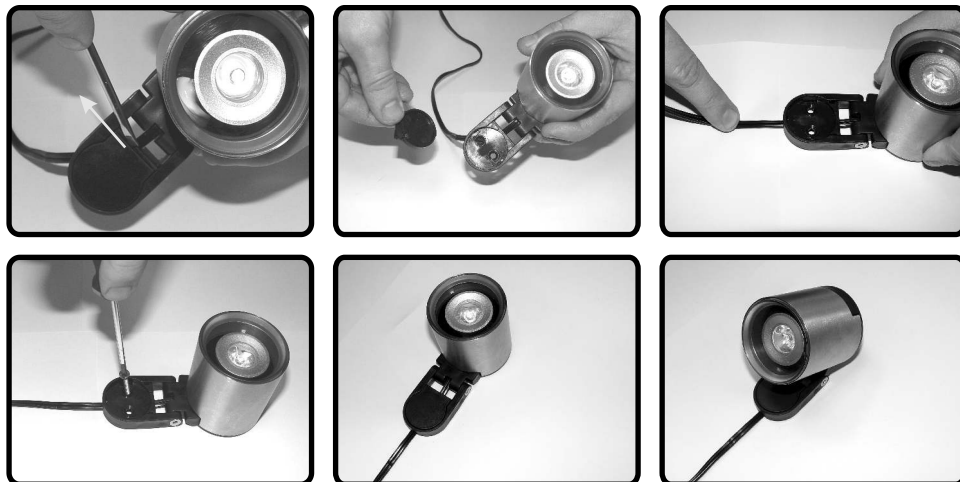
Mr11 LED 2W  
G4 12V  
Art. Nr. 6215011

- A- AC500
- B- PL536
- C- AC501
- D- PL542
- E- PL066
- F- SM097

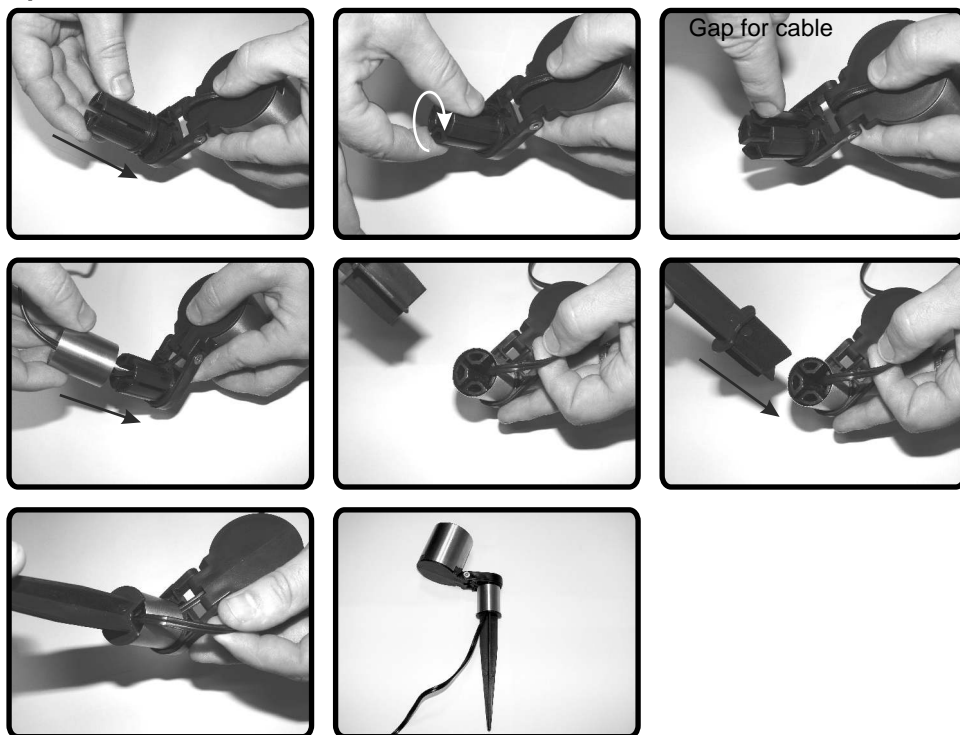




Base



Spike



Light source.

