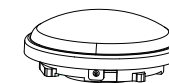
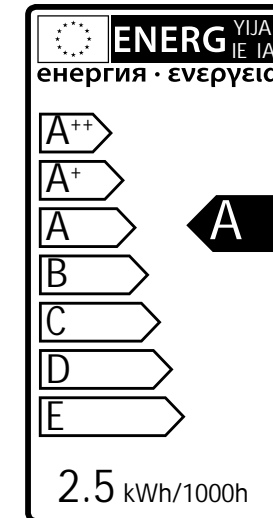


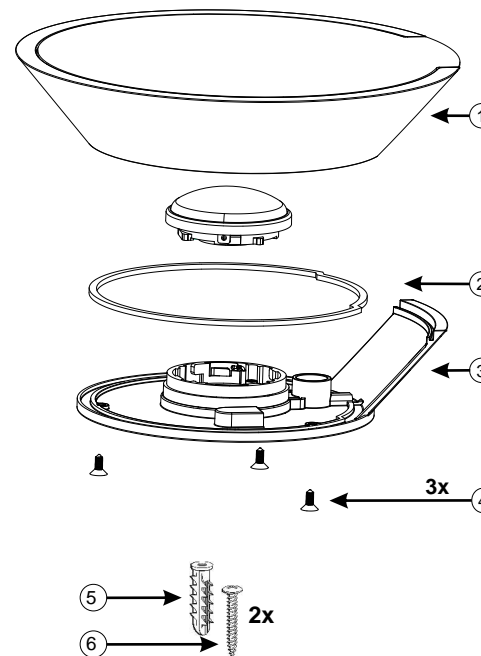
Eclipse

2586011

3 Watt	On/Off 5000	Failure < 5% after 1000h
130 Lumen	Non dimmable	Failure < 10% after 6000h
3000 Kelvin	Instant full light	Flux > 80% after 6000h
10.000 Hours	Power factor > 0,5	CRI > 65



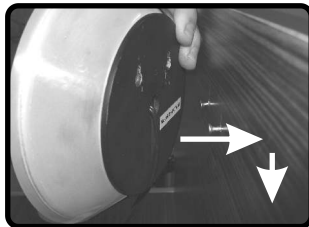
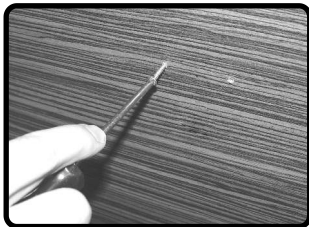
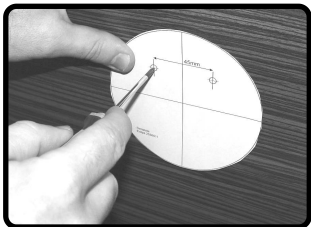
SMD LED unit 12x
12V 3W
warm white
Art. nr. 1308011



- 1- PL527-1
- 2- RB125
- 3- PL531
- 4- SM163
- 5- PL066
- 6- SM065



Wall



Light source

